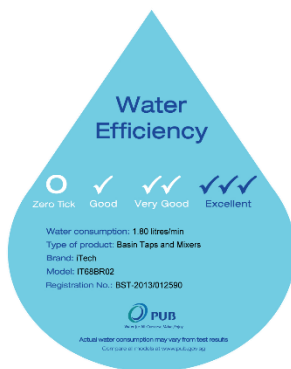


IT-68BR02

Basin Desktop Sensor Faucet



Powered with



Description

Powered with compact opto sensor electronic with advance comprehensive programming to meet ultimate requirements. The sensing electronic is design to perform under all conditions that may arise. Advance compact cartridge valves (differs from conventional solenoid valve) is incorporated into the flushing systems. Cartridge Valve with its unique compact design, it have made design more durable with the following features. Enclosed with quality 304 stainless steel grade casing, frame and front cover.

General specification

Brand	: iTech
Size	: Ø50 x 150 mm
Inlet pipe	: G 1/2"
Operating Time	: 0.1 seconds
Operating Temp	: 0 – 40°C
Discharge Volume	: 1.8 L/Min
Operating pressure	: 1 to 8 Bars
Input Voltage	: 230 VAC 50Hz,
Auto Cut-Off	: 60 seconds

Battery Operated

Battery size	: 1 x CR-P2 6V 1300mAh
Battery Life	: Min. 2 yrs 150cycles / day

Universal Electronic

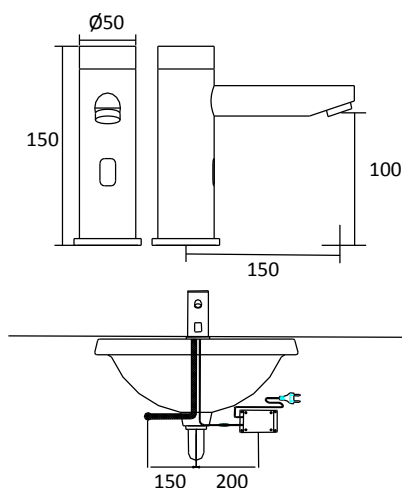
- low power consumption.
- Multi voltage : 6, 9 and 12 VDC
- 100% waterproofing in the electronics and cables. Infra-red sensitivity is automatically adjusted to ambient.
- When low voltage is detected, the electronic will auto cut-off all cartridge valve function to prevent continuous water flow.

Cartridge Valve

- low power consumption. (Nominal power 0.5 -1.2W)
- screw-in design.
- built-in strainer/filter.
- built-in self cleaning ability.

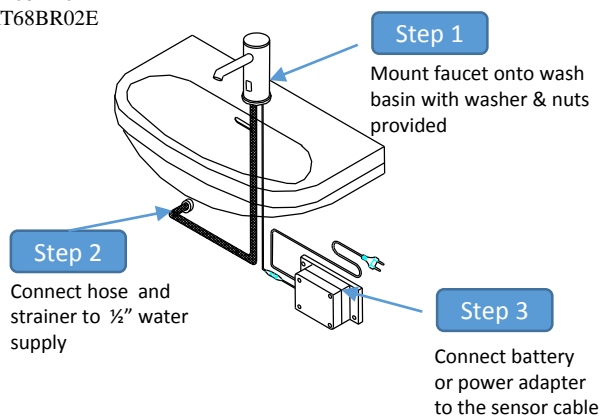
Technical Details

Product Details



Installation

IT68BR01
IT68BR02
IT68BR02E



Units : mm

DISCLAIMER: I-Tech Sensors Pte Ltd makes every effort to ensure the accuracy of the products and information detailed in this content. Information provided herein is subject to changes due to requirements different in countries and sites applications and accepts no liability for inaccuracies or typographic errors. I-Tech Sensors reserved the right to change the specification of the product and function described herein at any time without prior notice.